



LECTRODRYER

ADSORPTION TECHNOLOGY EXPERTS

TYPE F LECTRODRYER FILTER

High Efficiency Solids Removal from Compressed Air & Gases

APPLICATIONS:

The LECTRODRYER Type F filters provide high efficiency filtration to remove solid particles from compressed air and gases.

TYPICAL APPLICATIONS:

- Afterfilter downstream of desiccant dryer
- High purity air for pneumatic controls
- Clean air for metering and gauging devices
- Air cleaning of fine machined parts
- Prevent abrasive scoring of piston motors

PERFORMANCE:

The Type F filter includes a tri-layer element design. Performance is certified to a 99.985% retention (0.015 DOP penetration) for removal at a 0.3 micron particle size level.



FEATURES:

All units include a quick opening design for interchange of element support hardware is permanent and need not be replaced, reducing maintenance cost to just the element itself. Smaller Type F filters are 150# design, ASME Code exempt (i.e.: flows up to 300 SCFM); larger units are ASME Code Stamped (i.e.: flows 600 SCFM and greater).

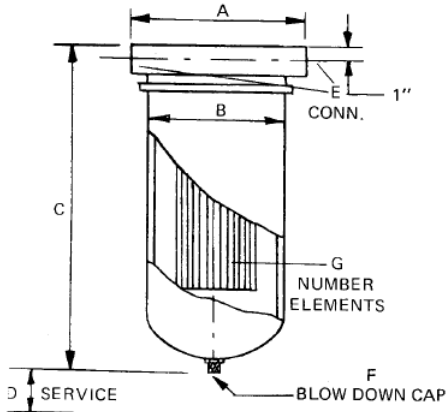
A manual blow-down valve or cap for removal of accumulation in the filter housing is standard.

A pressure differential gage is available as an option to show when a change of elements is required. Larger size Type F filters include connections for this gage as standard.

Block and by-pass valves can also be supplied as required.

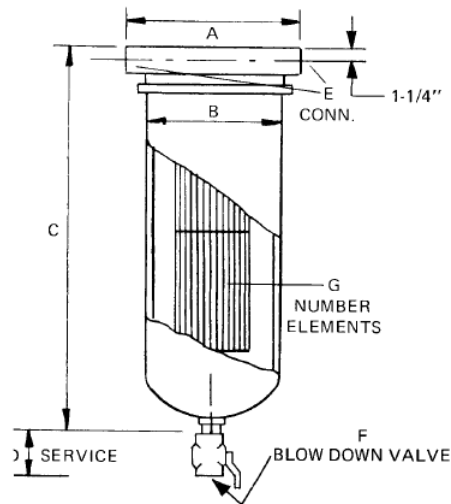
Dimensions as per reverse.

LECTRODRYER TYPE F FILTER



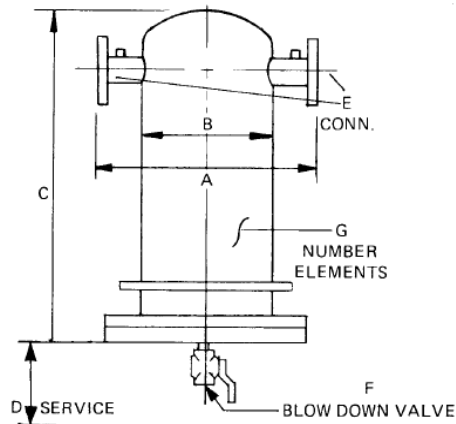
SIZE	A	B	C	D	E	F	G	WT.
F-75	4-1/2"	3"	11"	10"	1"	1/8"	1	6 lbs.
F-150	4-1/2"	3"	18"	17"	1"	1/8"	2	8 lbs.

E- Inlet and Outlet, IPS
F- Drain, IPS



SIZE	A	B	C	D	E	F	G	WT.
F-300	7-1/8"	5"	24"	15"	1-1/2"	1/4"	1	25 lbs.
F-600	7-1/8"	5"	36"	27"	1-1/2"	1/4"	2	35 lbs.

E- Inlet and Outlet, IPS
F- Drain, IPS



SIZE	A	B	C	D	E	F	G	WT.
F-900	25"	12-3/4"	35"	12"	3"	3/4"	3	405 lbs.
F-1800	25"	12-3/4"	47"	12"	3"	3/4"	6	460 lbs.
F-2700	25"	12-3/4"	60"	12"	4"	3/4"	9	525 lbs.
F-4200	32"	18"	52"	12"	4"	3/4"	14	685 lbs.
F-6300	32"	18"	74"	12"	6"	3/4"	21	775 lbs.
F-8400	32"	18"	86"	12"	6"	3/4"	28	875 lbs.

E- Inlet and Outlet, 150# ASA
F- Drain, IPS



CONTINUING THE TRADITION OF QUALITY AND SERVICE SINCE 1932

LECTRODRYER

P.O. Box 2500, Richmond, KY 40476-2602 U.S.A.

Phone: (859) 624-2091 Fax: (859) 623-2436

Website: www.lectrodryer.com E-mail: info@lectrodryer.com