

# LECTRODRYER

ADSORPTION TECHNOLOGY EXPERTS



## TYPE BX Liquid Dryer



# Type BX LECTRODRYER For Liquid Purification

The Type BX Lectrodryers are designed for the removal of water and other impurities from liquids down to less than 0.1 ppm. The presence of impurities in many process liquids can be an annoying or even a disastrous situation.

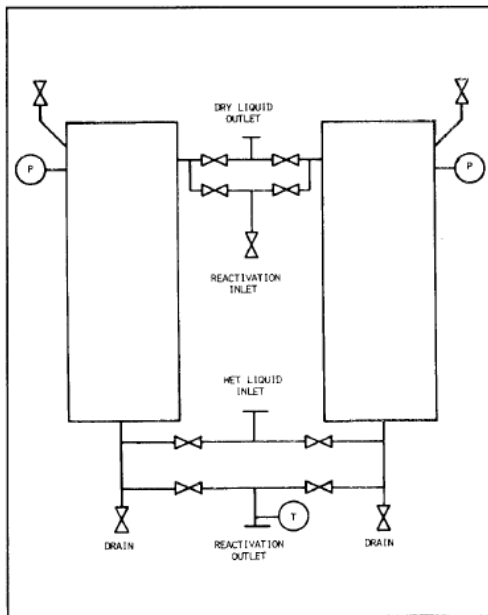
The BX Lectrodryer are dual or single tower units designed for the continuous or intermittent drying of process liquids to very low outlet water concentrations. Solid adsorption is used utilizing the best desiccant for the application. Several standard size dryers are available for most applications plus Lectrodryer can custom design units to fit any specific drying need. Standard units are shipped complete, ready to place into operation after process and utility connections are established.



## FEATURES

The standard Type BX Lectrodryer features include carbon steel pressure vessels with ASME Code stamping for 150 psig where applicable, stainless steel perforated metal desiccant supports, desiccant fill and drain nozzles, individually operated straightway valves for lower switching, thermal relief valves, pressure and temperature gages, reactivation package and either manual, semi-automatic or fully automatic operation with either NEMA 1, 4, 12, or 7 electrical enclosures.

## TYPICAL SPECIFICATIONS



Model	Length (Inches)	Width (Inches)	Height (Inches)	Weight (LBS)	Electric Reactivation Connected load/KVA
BX-2225	60	28	75	1250	4.5
BX-325	70	35	75	1750	7.5
BX-600	75	35	110	3000	15
BX-1000	75	40	110	4750	24
BX-1500	80	48	120	7800	40
BX-2000	130	60	120	9100	50
BX-3000	134	60	125	14250	70
BX-4000	137	65	125	17800	100
BX-5000	140	67	128	22100	120
BX-6500	10	70	128	31200	150
BX-8000	150	80	130	36800	190
BX-12000	180	110	140	52000	280
BX-20000	214	140	142	61000	460

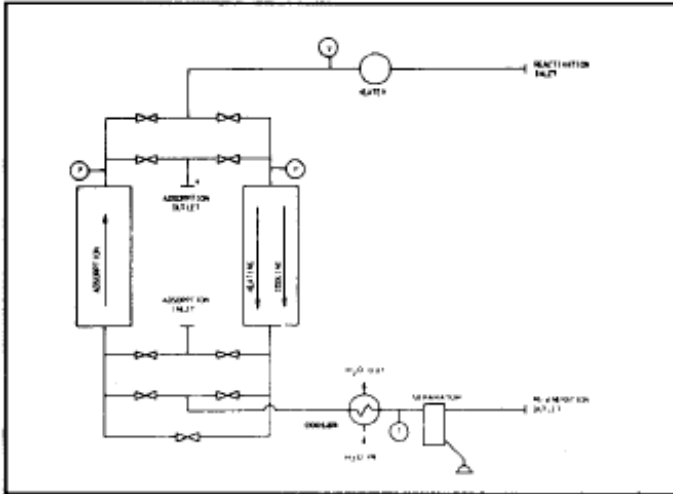
\*Also available in single tower units and multiple units



# Typical BX Reactivation Alternatives

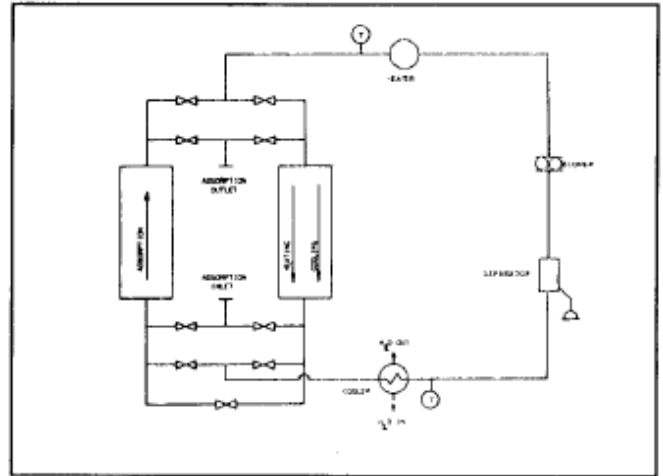
The type BX Lectrodryers can utilize either electric or steam regeneration in a variety of reactivation schemes. Open or closed circuit regeneration and cocurrent or counter current heating and cooling is available. The proper reactivation scheme is chosen by experienced Lectrodryer engineers depending upon the specific application.

## TYPE BXO



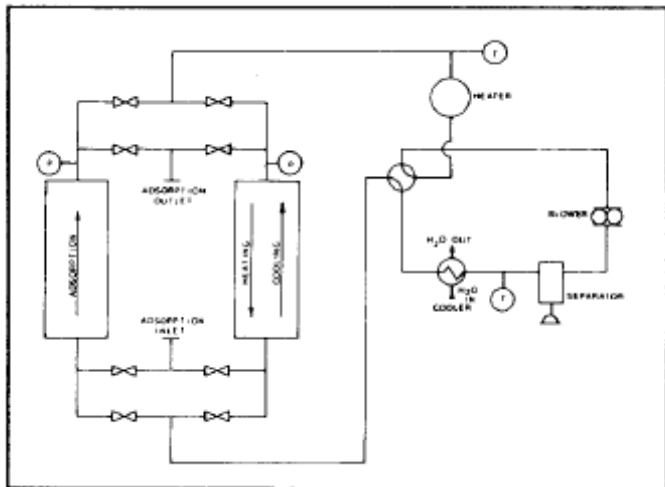
- \* Purge Gas Regeneration
- \* Cocurrent or countercurrent heating and cooling

## TYPE BXC



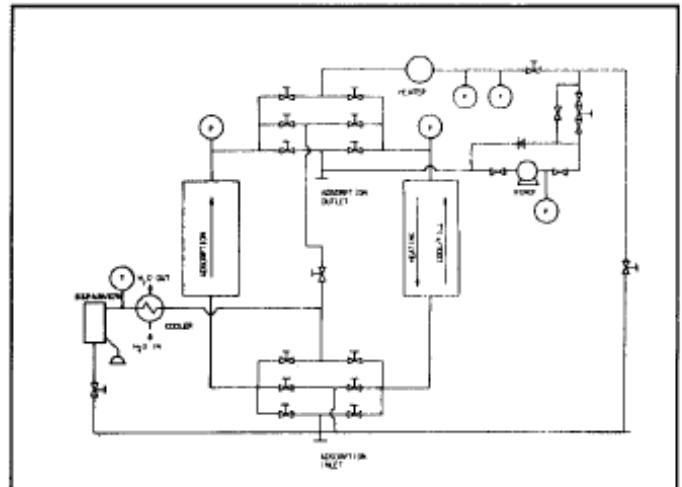
- \* Closed Circuit regeneration
- \* Conservation of regeneration gas
- \* Cocurrent or countercurrent heating and cooling

## TYPE BXR



- \* Closed loop regeneration
- \* Countercurrent heating and cooling
- \* No outside regeneration gas source

## TYPE BXZ



- \* Closed Circuit regeneration
- \* Counter heating and cooling
- \* Conservation of regeneration gas



# LECTRODRYER HAS THE SOLUTION FOR ALL COMPRESSED AIR AND GAS DRYING PROBLEMS

**Lectrodryer offers a complete range of drying and purification equipment:**  
**For atmospheric or high pressure conditions**  
**For very small or very large air volumes**  
**For air, gases, and certain organic fluids**

## Regenerative Adsorption Dryer

### Typical applications:

Drying compressed air for instruments; purging of refrigeration coils, compressors, and systems; drying air for ozone generators; vacuum-breaking operations controlled atmosphere gas



### Features:

Carbon steel pressure vessels with ASME Code (where applicable) for up to 150 PSIG Stainless steel perforated metal desiccant support and inlet flow diffuser, sheathed or non sheathed heating element in which each adsorber vessel with thermostatic over temperature protection in the heater bundle, two 4-way lubricated plug valves with air piston operator and solenoid valve controls, thermal pressure relief valves, pressure gages, dial thermometer in the purge outlet, 110 volt controls and NEMA 1 electrical enclosures.

### Optional Features:

Special controls and electrical enclosures.

## Refrigeration-Type Industrial Gas Dryer

### Typical Application:

Low pressure situations for controlling atmospheric gases.



### Features:

Power-on light, high temperature warning light, on/off switch, refrigeration analyzer gage, gas-out gage, gas-in temperature gage, low suction pressure cut-out, high head pressure cut-out, hot gas bypass capacity control, start push button pump down shut off cycle, oil pressure control, and suction accumulator.

### Optional Features:

Special control and electrical enclosures.

## Lectrodryer Filters

The Lectrodryer type SF and type F filters provide high efficiency filtration with ten sizes available in each type for flows to 8400 SCFM, larger sizes available on application. Both types have a high level filter efficiency of 99.985% retention (0.015 DOP penetration) for filtration to a 0.3 micron



## Lube Oil / Air Tanks

Lectrobreather tank vent dryers prevent atmospheric moisture from entering storage during "breathing" due to ambient temperature changes and draining periods. Valuable oils and chemical solutions remain free of water contamination.



CRN



ASME

SQL



CONTINUING THE TRADITION OF QUALITY AND SERVICE SINCE 1932

# LECTRODRYER

P.O. Box 2500, Richmond, KY 40476-2602 U.S.A.  
Phone: (859) 624-2091 Fax: (859) 623-2436  
Website: [www.lectrodryer.com](http://www.lectrodryer.com) E-mail: [info@lectrodryer.com](mailto:info@lectrodryer.com)