



LECTRODRYER

ADSORPTION TECHNOLOGY EXPERTS

TYPE AX Solvent & Liquid Dryers



Type AX Lectrodryers are engineered for the removal from solvents and other liquids by solid adsorption. Single beds of the optimal type desiccant provide purification for batch or intermittent applications.

- UP TO 5% MOISTURE INLET
- OUTLETS AS LOW AS 0.1 PPM
- WIDE TRUNDOWN RANGE
- MULTIPLE FLUIDS AND MIXES CAPABILITIES
- MANUAL, SEMI OR FULLY AUTOMATIC
- STATE OF THE ART PLC CONTROLS WITH OPERATOR INTERFACE FOR SIMPLIFIED OPERATION AND ECONOMY OF SERVICE
- CARBON STEEL AND ALLOY MATERIALS
- STANDARD AND OPTIONAL DESIGNS

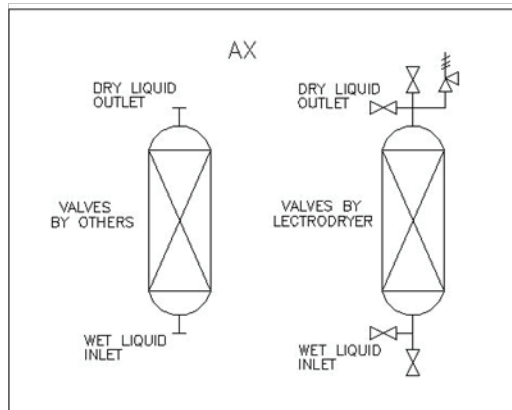
PARTIAL LIST OF FLUIDS DRIED AND PURIFIED



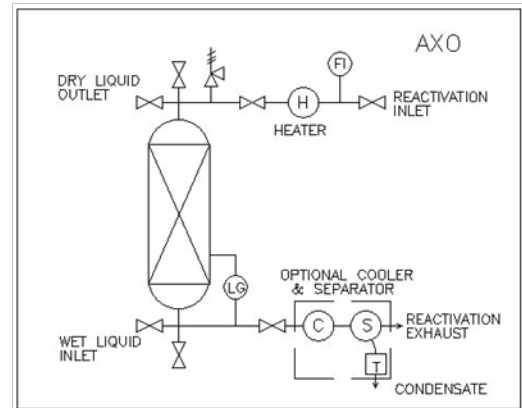
Acetone	Ethyl Acetate	Methyl Isobutyl Ketone
Acetonitrile	Ethyl Alcohol	Methylal
Acrylonitrile	Ethyl Benzene	Methylene Chloride
Benzene	Ethylene	Naptha (Mineral Spirits)
Butadiene	Ethylene Glycol	Octane
Butane & Butene	Gasoline	Pentane
Carbon Tetrachloride	Heptane & Hexane	Perchloroethylene
Chloroform	Hydrochloric Acid	Propane & Propylene
Cyclic Siloxane	Isobutane	Propyl Alcohol
Cyclohexane	Isobutylene	Pyridine
Cyclohexanone	Isopropyl Alcohol	Refrigerants
Cyclohexylamine	Jet Fuel	Styrene
Dichlorobenzene	Kerosene	Syltherms
Dichloropentadiene	Laquer Thinner	Tetrahydrofuran
Diethyl Ether	Methyl Alcohol	Toluene
Diethylamine	Methyl Chloroform	Trichloroethane
Dimethyl Formamide	Methyl Ethyl Ketone	Trichloroethylene
Dimethyl Pyridine	Methyl Formate	Vinyl Acetate
Ether	Methyl Iodide	Xylene

TYPICAL TYPE AX REACTIVATION ALTERNATIVES

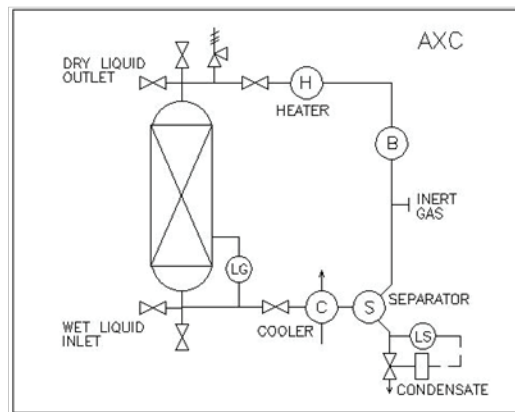
Lectrodryer Type AX solvent and liquid dryers may be non-reactivated, or utilize electric, steam, or other heat sources in a variety of reactivation systems. The most common designs are shown below. Lectrodryer's 70 years of experience provides the most options and best assistance for solving your drying needs.



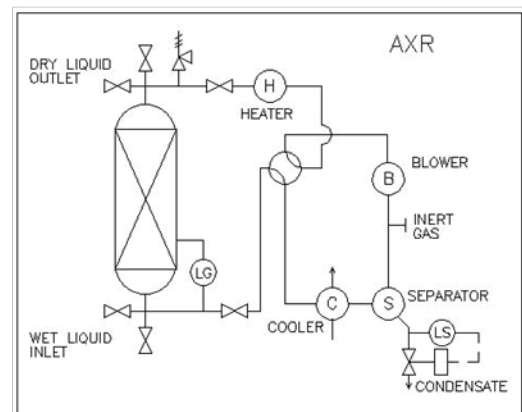
- AX-non reactivated for limited moisture applications
- Least capital cost
- No reactivation utilities or expenses
- Requires desiccant disposal and replacement



- AXO— for lowest outlet moisture and impurities.
- Simple operation
- Utilizes external nitrogen or inert gas
- Some loss of fluid, may be minimized by optional cooler and separator



- AXC Closed loop reactivation
- Conserves reactivation gas
- Minimizes fluid losses and emissions
- Water or air cooled



- AXR—closed loop reactivation with reverse direction heating and cooling
- Conserves reactivation gas
- Minimizes fluid losses and emissions
- Improves drying performance
- Minimizes effects of contaminants
- Water or air cooled

Member of

 www.cagi.org

CONTINUING THE TRADITION OF QUALITY AND SERVICE SINCE 1932

LECTRODRYER

P.O. Box 2500, Richmond, KY 40476-2602 U.S.A.

Phone: (859) 624-2091 Fax: (859) 623-2436

Website: www.lectrodryer.com E-mail: info@lectrodryer.com