



LECTRODRYER

ADSORPTION TECHNOLOGY EXPERTS

TYPE SF & F LECTRODRYER PRE & AFTER FILTERS

High Efficiency Solids Removal from Compressed Air & Gases

APPLICATIONS:

The LECTRODRYER Type SF & F filters provide high efficiency coalescing, separation, and filtration to remove fogs and colloidal suspensions from compressed air and gases.

TYPICAL APPLICATIONS:

- Type SF Prefilter upstream of desiccant dryers
- Type F Afterfilter downstream of desiccant dryers.
- High purity air for pneumatic controls
- Clean air for paint spraying and air jets, as well as metering and gauging devices
- Air cleaning of fine machined parts
- Reduce maintenance of pneumatic tools
- Prevent abrasive scoring of piston motors

PERFORMANCE:

The Type SF & F filters utilize a unique sandwich design coalescing element. Performance is certified to 99.985% retention (0.015 DOP penetration) for filtration to 0.3 micron particle size.

FEATURES:

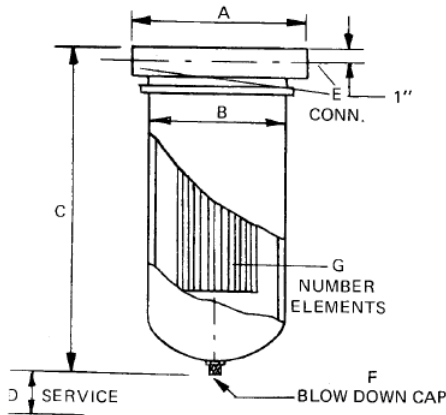
All units include a quick opening design for interchange of elements without removing from the pipeline. Stainless steel caging and support materials provide lifetime service. Thus, exchange of elements, when necessary, remains an inexpensive operation. Smaller units are 150# design, ASME Code exempt (i.e.: flows up to 300 SCFM); larger units are ASME Code stamped (i.e.: flows 600 SCFM and greater).

A manual drain valve or cap is standard. A ball float condensate trap or timed condensate discharge valve are available as options. A pressure differential gage is available to show when a charge of elements is required. Larger size Type SF & F filters include the gage connections as standard.

Block and by-pass valves and piping can also be supplied where required. Dimensions as per reverse.

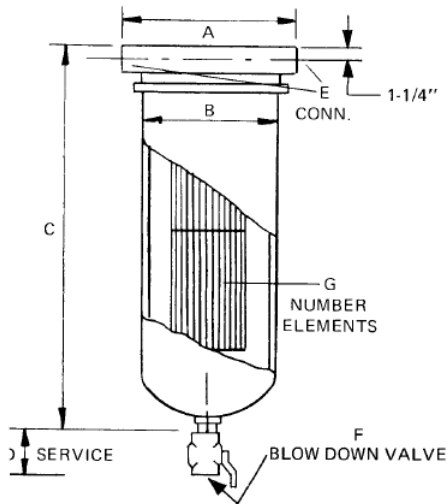


LECTRODRYER TYPE SF & F FILTER



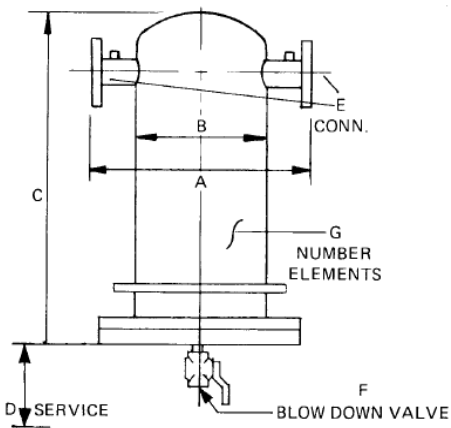
SIZE	A	B	C	D	E	F	G	WT.
SF & F-75	4-1/2"	3"	11"	10"	1"	1/8"	1	6 lbs.
SF & F-150	4-1/2"	3"	18"	17"	1"	1/8"	2	8 lbs.

E- Inlet and Outlet, IPS
F- Drain, IPS



SIZE	A	B	C	D	E	F	G	WT.
SF & F-300	7-1/8"	5"	24"	15"	1-1/2"	1/4"	1	25 lbs.
SF & F-600	7-1/8"	5"	36"	27"	1-1/2"	1/4"	2	35 lbs.

E- Inlet and Outlet, IPS
F- Drain, IPS



SIZE	A	B	C	D	E	F	G	WT.
SF & F-900	25"	12-3/4"	35"	12"	3"	3/4"	3	405 lbs.
SF & F-1800	25"	12-3/4"	47"	12"	3"	3/4"	6	460 lbs.
SF & F-2700	25"	12-3/4"	60"	12"	4"	3/4"	9	525 lbs.
SF & F-4200	32"	18"	52"	12"	4"	3/4"	14	685 lbs.
SF & F-6300	32"	18"	74"	12"	6"	3/4"	21	775 lbs.
SF & F-8400	32"	18"	86"	12"	6"	3/4"	28	875 lbs.

E- Inlet and Outlet, 150# ASA
F- Drain, IPS



CONTINUING THE TRADITION OF QUALITY AND SERVICE SINCE 1932

LECTRODRYER

P.O. Box 2500, Richmond, KY 40476-2602 U.S.A.

Phone: (859) 624-2091 Fax: (859) 623-2436

Website: www.lectrodryer.com E-mail: info@lectrodryer.com