

# LECTRODRYER

ADSORPTION TECHNOLOGY EXPERTS



## TYPE A COMMUNICATION DRYERS



# Continuous consistent pressurized dry air for antennas, waveguides, radio relays and all types of communication equipment.

## INTRODUCTION

The message is clear and dry. Thousands of messages crowd the airways, telephone lines, microwave towers, each important to someone. Interference, unwanted signals, there's no lack of problems that plague communication equipment. One problem you don't need is moisture where you don't want it, especially where super high performance is a must.

Whether it's for pressurized horn reflectors and wave guide systems, for telephone control rooms, or video signal generation, in fact, wherever a controlled atmosphere is needed you can rely on Lectrodryer twin tower systems to provide a continuous source of dry air and automatically maintain system pressure within a present range.

## DESCRIPTION

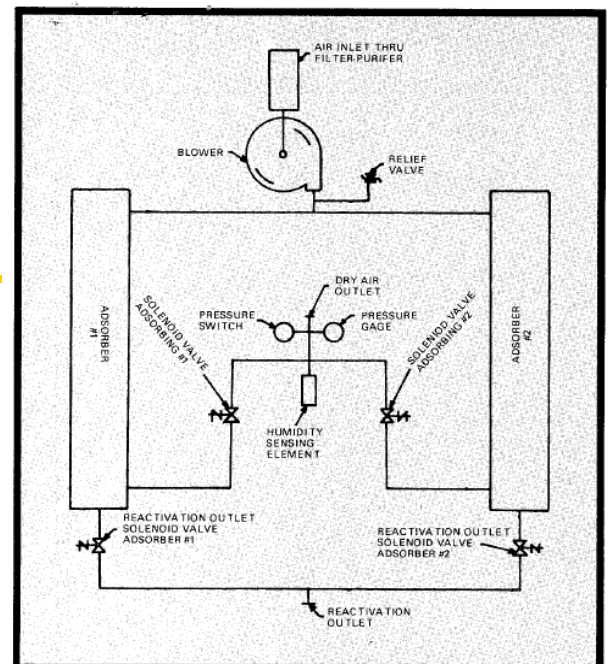
Lectrodryer "A" type dryers are designed to meet all atmospheric conditions and have the capacity of delivering 60 SCFH to 450 SCFH of dried air at a  $-40^{\circ}\text{F}$  dewpoint when required. Air is delivered at pressures ranging from 5.0" to 9.0" water gauge according to air demand and preset system requirements.

In the Lectrodryer system, inlet air is drawn through a specially designed high efficiency filter purifier and is boosted through a blower. A portion of this air is used for reactivation while the remainder is dried and delivered to the system.

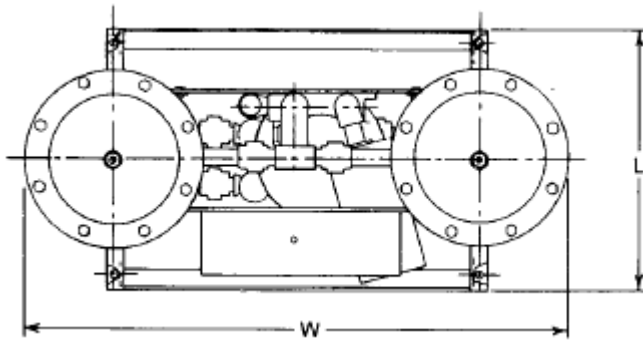
The filter/purifier not only removes particulate to less than 0.3 microns, but also removes impurities such as  $\text{H}_2\text{S}$ ,  $\text{SO}_2$ , plus a variety of noxious vapors and pollutants, preventing damaging corrosion to highly sensitive electronic components.

## FEATURES

- Fully automatic. Provides own source of air for both adsorption and reactivation.
- Automatic cycling. No operator attention.
- Energy efficient. Uses low watt density embedded heaters.
- Built-in alarm. Warns of high humidity conditions, and low pressure.
- Lectrolod energy saver. As an option, Lectrolod monitors moisture content of the air and will not activate switching and heating unless needed.

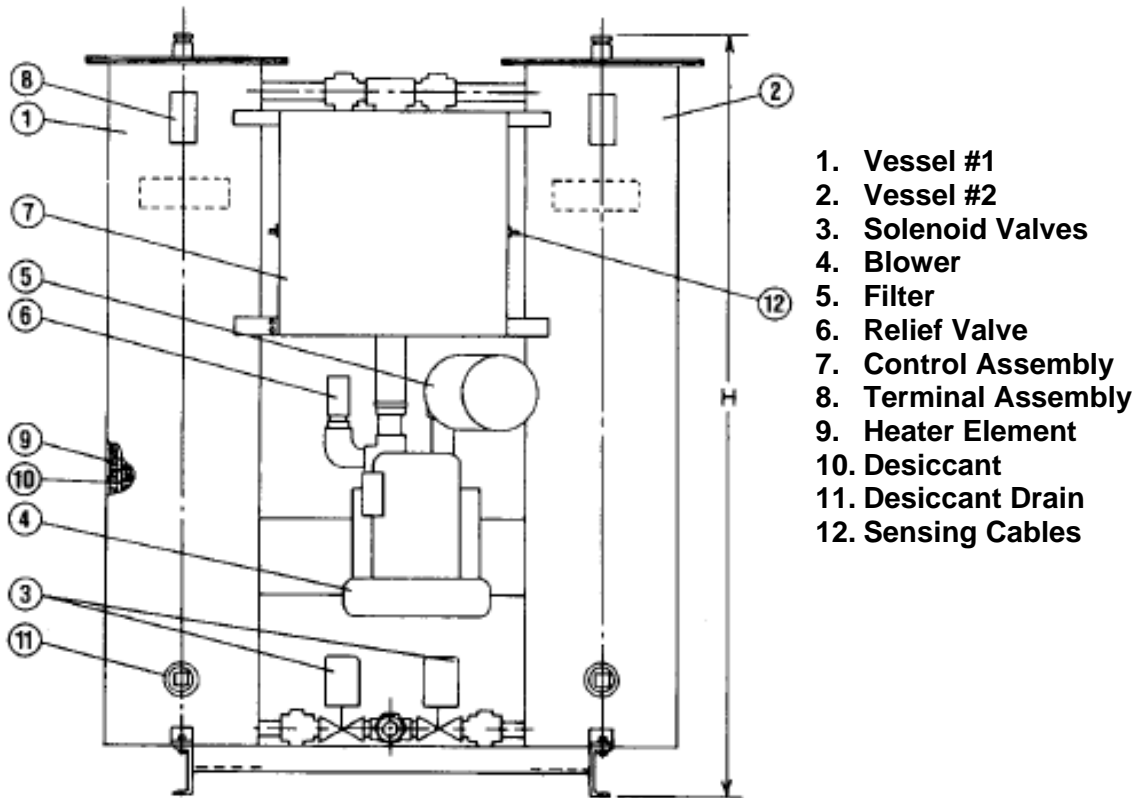


# Type A Lectrodryer Characteristics



Model	Depth	Width	Height	Weight	KW	(1) Output Capacity	(2) Press. Range
A-60	15"	24"	60"	260#	0.5	60	5"-9"
A-125	15"	24"	60"	300#	1	125	5"-9"
A-250	24"	24"	60"	500#	2	250	5"-9"
A-500	24"	49"	61"	900#	3	500	5"-9"

- (1) Cubic feet per hour  
 (2) Inches water gage



# LECTRODRYER HAS THE SOLUTION FOR ALL COMPRESSED AIR AND GAS DRYING PROBLEMS

**Lectrodryer offers a complete range of drying and purification equipment:**  
**For atmospheric or high pressure conditions**  
**For very small or very large air volumes**  
**For air, gases, and certain organic fluids**

## Regenerative Adsorption Dryer

### Typical applications:

Drying compressed air for instruments; purging of refrigeration coils, compressors, and systems; drying air for ozone generators; vacuum-breaking operations controlled atmosphere gas



### Features:

Carbon steel pressure vessels with ASME Code (where applicable) for up to 150 PSIG Stainless steel perforated metal desiccant support and inlet flow diffuser, sheathed or non sheathed heating element in which each adsorber vessel with thermostatic over temperature protection in the heater bundle, two 4-way lubricated plug valves with air piston operator and solenoid valve controls, thermal pressure relief valves, pressure gages, dial thermometer in the purge outlet, 110 volt controls and NEMA 1 electrical enclosures.

### Optional Features:

Special controls and electrical enclosures.

## Refrigeration-Type Industrial Gas Dryer

### Typical Application:

Low pressure situations for controlling atmospheric gases.

### Features:

Power-on light, high temperature warning light, on/off switch, refrigeration analyzer gage, gas-out gage, gas-in temperature gage, low suction pressure cut-out, high head pressure cut-out, hot gas bypass capacity control, start push button pump down shut off cycle, oil pressure control, and suction accumulator.



### Optional Features:

Special control and electrical enclosures.

## Lectrodryer Filters

The Lectrodryer type SF and type F filters provide high efficiency filtration with ten sizes available in each type for flows to 8400 SCFM, larger sizes available on application. Both types have a high level filter efficiency of 99.985% retention (0.015 DOP penetration) for filtration to a 0.3 micron



## Lube Oil / Air Tanks

Lectrobreather tank vent dryers prevent atmospheric moisture from entering storage during "breathing" due to ambient temperature changes and draining periods. Valuable oils and chemical solutions remain free of water contamination.



CRN



IECEX

ASME

SQL



CONTINUING THE TRADITION OF QUALITY AND SERVICE SINCE 1932

# LECTRODRYER

P.O. Box 2500, Richmond, KY 40476-2602 U.S.A.  
Phone: (859) 624-2091 Fax: (859) 623-2436  
Website: [www.lectrodryer.com](http://www.lectrodryer.com) E-mail: [info@lectrodryer.com](mailto:info@lectrodryer.com)